



**SECURE**

Security that goes wherever  
your CAD data goes

Protect your CAD files and Corporate IP in heterogeneous  
environment with HALOCAD and Microsoft



Microsoft Security



# Contents

4

How will you protect your CAD data once it leaves your hands?

6

Secure your collaboration

9

Automate your security

10

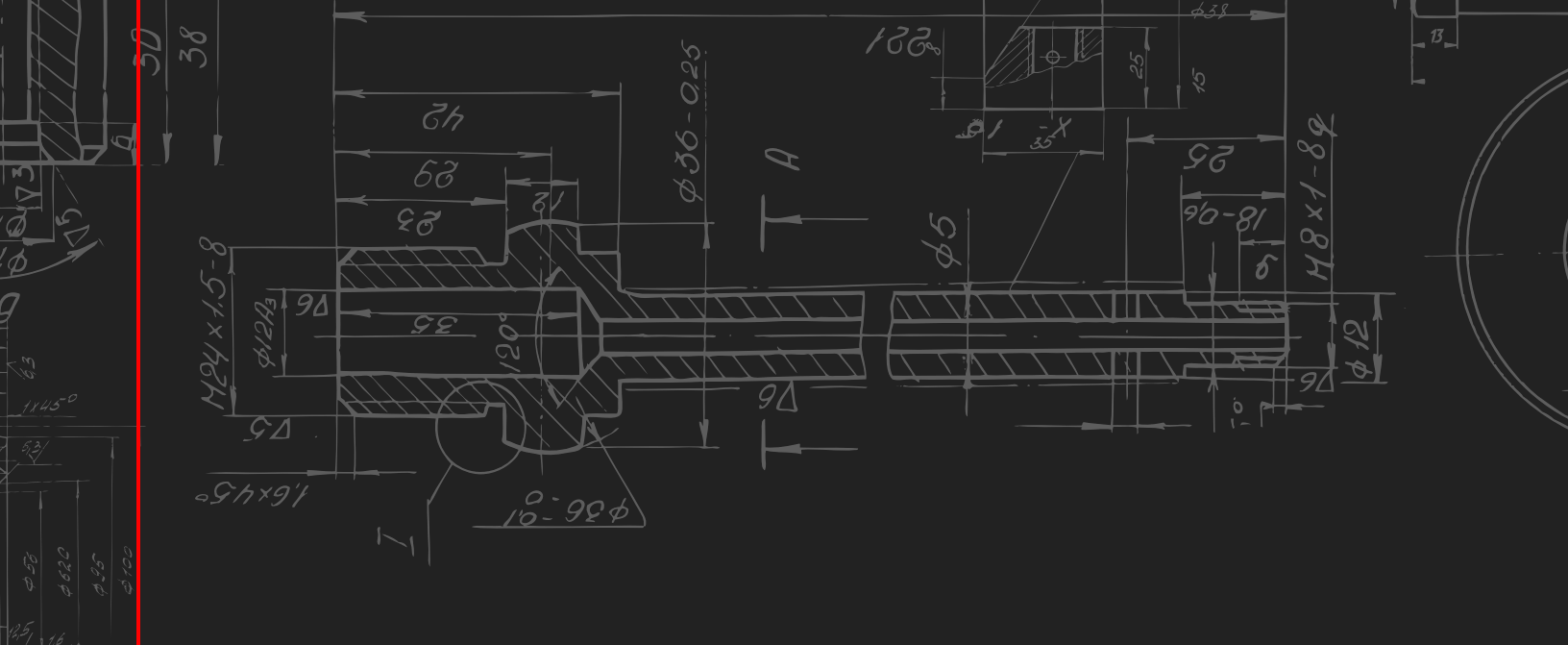
Enhance your security tools

12

Case Study: U.S. DOD Aerospace Contractor

14

Secure CAD files throughout the design lifecycle



# How will you protect your CAD data once it leaves your hands?

## Extend data protection beyond your organization's IT perimeter

In today's business environment, Computer Aided Designs (CAD) data are shared beyond a company's IT boundary. That means an organization's critical intellectual property (IP) based on CAD files, such as blueprints, drawings, illustrations, and simulations, can easily get into the wrong hands. Consequently, loss or breach of proprietary information can result in loss of reputation, sales, and profit, causing irreversible damage.

While collaboration and the exchange of information are essential parts of product design, the lack of adequate network, process, and data protection pose a large threat to businesses small and large. Although sharing and outsourcing design concepts are necessary to support development projects, there's no simple way to control who has access to those files after they leave the four walls of your company.



27% of breaches  
in 2021 involved IP.<sup>1</sup>

80% of senior IT leaders believe their  
organizations lack sufficient protection  
against cyberattacks.<sup>2</sup>

The annual cost from  
IP losses can range from **\$225 billion to \$600 billion.**<sup>3</sup>

SECUDE HALOCAD is a leading security solution that integrates with Microsoft Purview Information Protection to secure priceless CAD files throughout their lifecycle – both inside and outside an organization's IT boundary.

## Reduce the possibilities of a data leak

### » Secure your collaboration

Protect your CAD files without compromising on teamwork and collaboration.

### » Automate your security

Apply Microsoft Purview Information Protection sensitivity labels automatically without user engagement.

### » Enhance your security tools

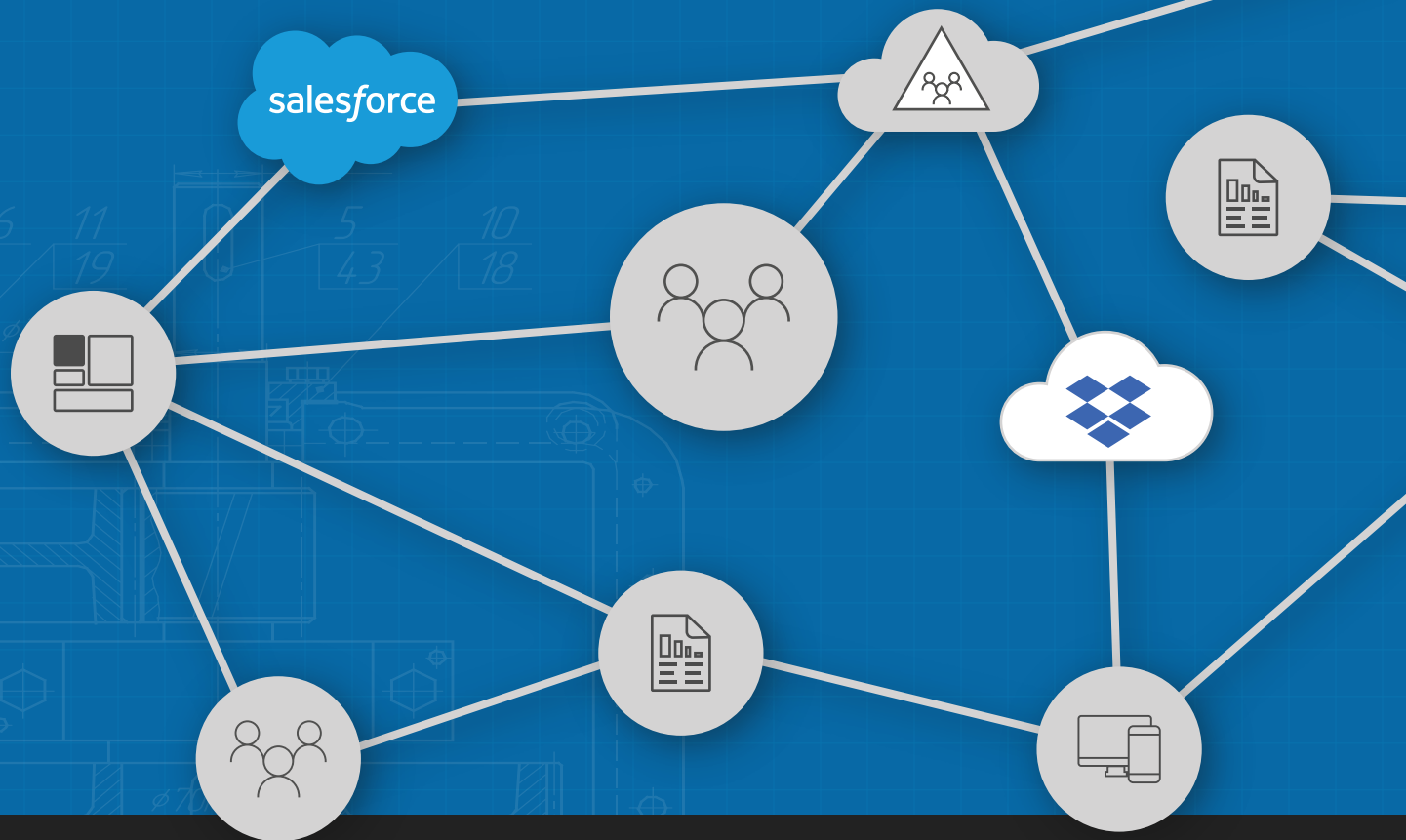
Extend the security templates of Microsoft Purview Information Protection without disrupting the workflow.

# Secure your collaboration

## Protect sensitive CAD data from both internal and external threats

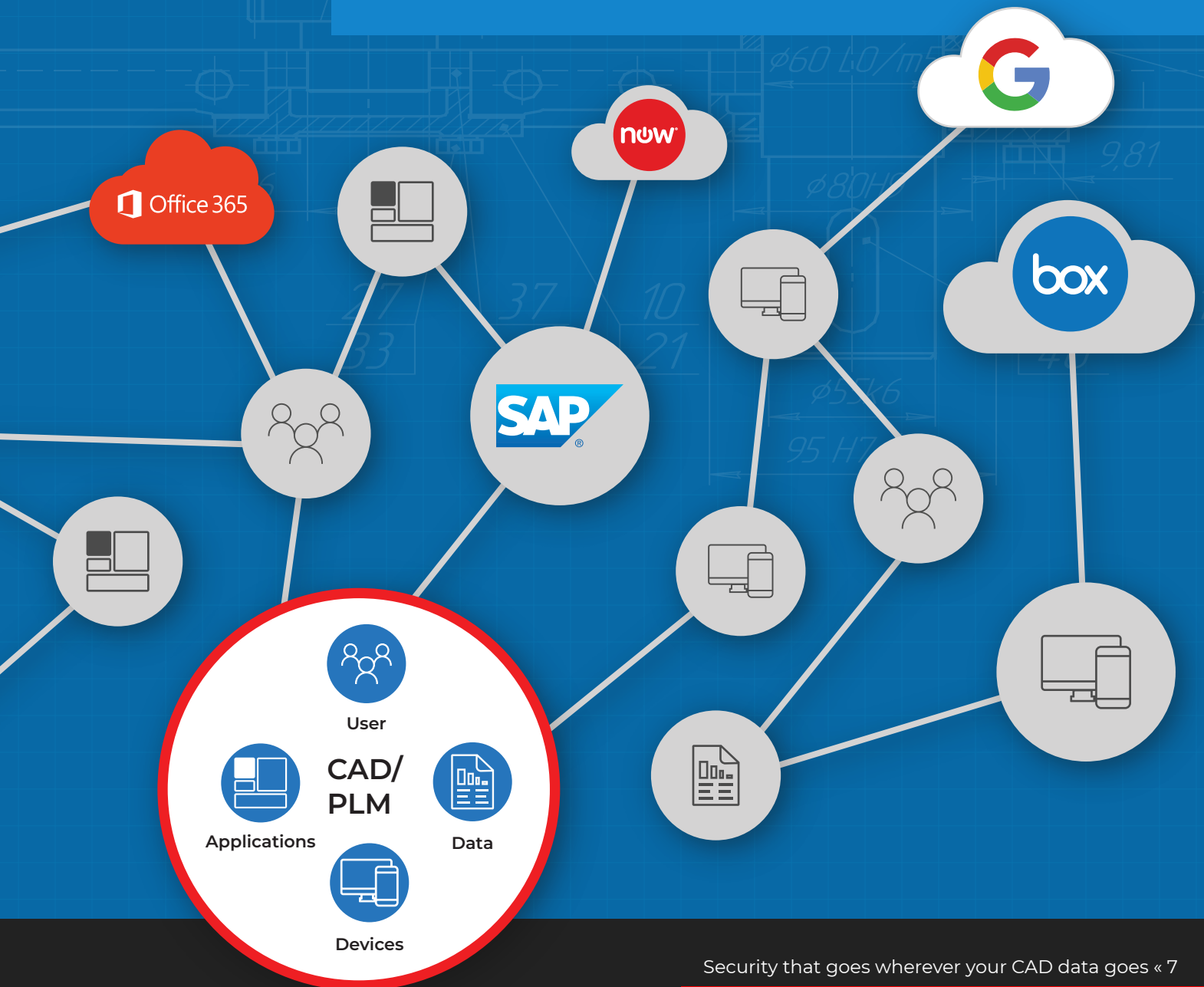
When collaborating across multiple platforms and with different partners, vendors, customers, and other parties in the supply chain, it can be difficult to protect sensitive design data and proprietary information. Others accessing CAD information outside the corporate network often do not have full Microsoft Purview Information Protection.

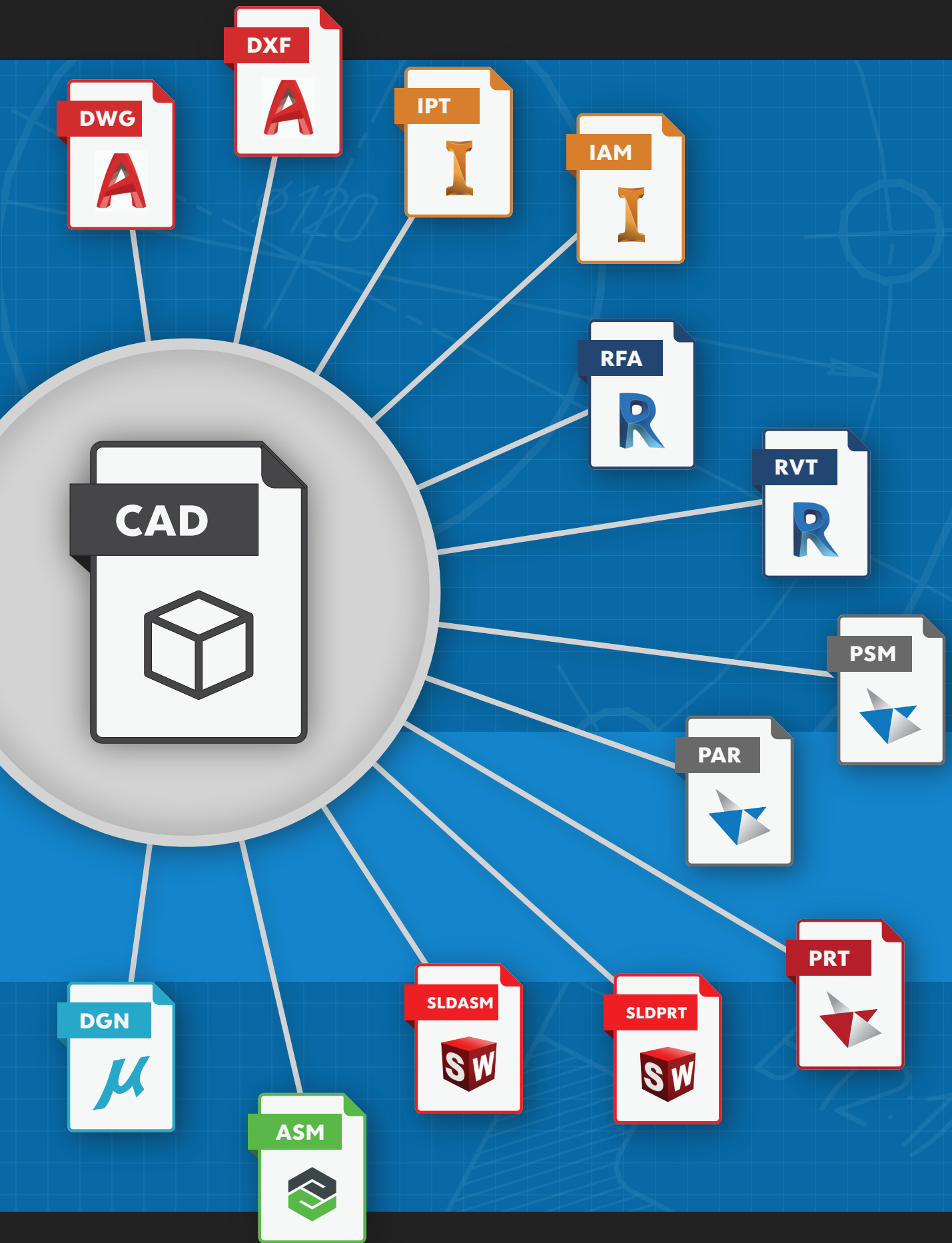
HALOCAD extends the security templates provided by Microsoft Purview Information Protection and protects sensitive CAD data in the form of drawings, blueprints, designs, and other IP – regardless of whether those files are shared outside a company's corporate network. It ensures your compliance policies are maintained outside the firewall and removes manual data protection steps from the hands of suppliers. HALOCAD provides access, forwarding, and privilege control for CAD environments as part of Enterprise Digital Rights Management.



## Ensure compliance

HALOCAD enhances Microsoft 365 E5 compliance to protect CAD files across the production chain, including uncontrolled partner and supplier IT environments.







# Automate your security

## Automatically protect your CAD files at every step of the development lifecycle

Applying manual data protection every time a file is exported, downloaded, or accessed outside the application can be a time-consuming and error-prone process.

HALOCAD helps you seamlessly apply Microsoft Purview Information Protection labeling templates for your CAD files in a simple and cost-effective manner. HALOCAD automatically applies Microsoft Purview Information Protection labels to protect CAD drawings during checkout from the product lifecycle management (PLM) system vault. Seamlessly open protected files and enforce user privileges with no manual intervention and no disruption to existing workflows. Allow authorized users to open and modify protected files, ensuring protection even when the file is accessed by multiple users.

## Protect CAD data no matter the format

HALOCAD extends CAD data protection and supports multi-file formats, including DWG, DXF, IPT, IAM, IDW, RVT, ASM, PRT, PAR, PSM, and SLDPRT.

# Enhance your security tools

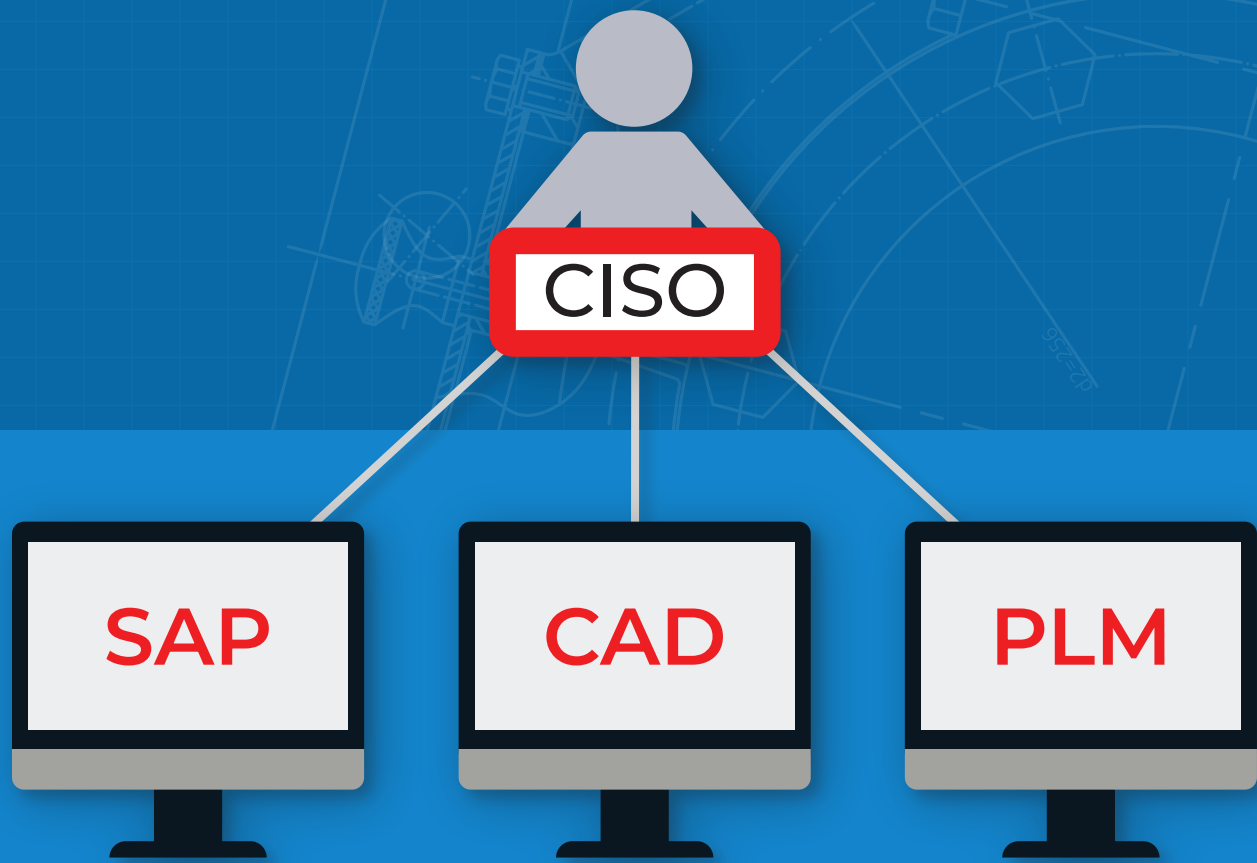
## **Extend the security provided by Microsoft Purview Information Protection to the complete lifecycle of CAD files**

Boost your Microsoft 365 monthly active users with protected files, enabling easy encryption, permission enforcement, and collaboration with partners. HALOCAD integrates with the Microsoft Purview Information Protection SDK in addition to the content authoring environment and works as an add-on to the content repository. It also implements information protection policies across supported repositories. Automate protection for various PLM environments and plug-in for major CAD applications.

### **SECUDE and Microsoft**

Microsoft 365 users can take advantage of Microsoft Purview Information Protection as part of their E5 license without needing to upgrade or maintain the rights engines. Gain a 360-degree view of holistic encryption strategy with HALOCAD using Microsoft Purview Information Protection and integrations with SAP, CAD, and PLM environments.

# HALOCAD® + Microsoft Information Protection



360 Degree Holistic View

## CASE STUDY:

# U.S. DOD Aerospace Contractor

## Situation

A multinational company that designs and manufactures highly engineered industrial products for the aerospace and defense industries engaged SECUDE to address the Cybersecurity Maturity Model Certification (CMMC) requirements for controlled and least privileged access to proprietary CAD designs. The U.S. DOD has unique and evolving requirements for contractors. After 2023, all DOD contractors will be required to comply with CMMC.

## Challenge

The client was using Microsoft Azure Government GCC High, which has additional restrictions and different defaults than commercial Azure services. The CAD environment of the client included multiple CAD systems with varied versions dating as far back as 2016. They also had an older version of a PLM system integrated with the old CAD versions. The compatibility and licensing of the different versions caused some delays in the project.

## Solution

The client engaged with SECUDE for an initial Proof of Concept (POC) installation during which the configuration of GCC High and Microsoft Purview Information Protection were designed. A team from the client met regularly with the SECUDE team to find the appropriate system administrators to grant permissions and follow installation instructions. SECUDE was able to customize the installation of HALOCORE and HALOCAD to work with GCC High. In the end, the POC proved successful, and the client then executed a pilot program to include design engineers and use cases for further validation and user experience feedback.

## Result

SECUDE was able to provide the client with data-centric security through the HALOCAD solution. The company's sensitive CAD files are now protected and meeting new and pending CMMC requirements.

# Secure CAD files throughout the design lifecycle

HALOCAD empowers organizations to automatically classify and protect sensitive CAD data from insider and external threats. With over two decades of experience in data security, SECUDE works to enhance Microsoft Purview Information Protection capabilities and guarantee protection of your proprietary designs.

[Learn more about SECUDE and HALOCAD](#)

[Request HALOCAD pricing or a DEMO](#)



**SECURE**